



TS-150-M6

Liquid Temperature Sensor

Measurement features		
Range	-50 to +150	°C
Accuracy	±2	°C
Sensitive Element Standard	Silicon sensor	
Average sensitivity	-13.6	mV/°C
Response time 0-90% (into water @ 95°C)	10	s
Electrical features		
Supply Voltage	5 to 16V	V
Supply Current	< 1	mA
Output Voltage	0...5	V
Output Impedance	< 100	Ω
Load Resistance	>5000	Ω
Mechanical features		
Material	Stainless steel	
Recommended tightening torque	6	N.m
Dimension and weight	See & Housing options	
Environment		
Protection	IP66	
Maximum service pressure	200	bar
Burst pressure	600	bar
Vibration test	20 Gpp 5'	
Shock	500	G
Operating Temp	-50 to +150	°C
Storage Temp	-50 to +150	°C

Cable		
3x26 AWG FEP tinned copper braided cable 250V 200°C		
Length: 1000±100mm		Tubing: None
Connector: on request		
Color	Function	Pin
Red	Supply	-
Black	0V	-
White	Signal	-
Braid	Not connected	

Calibration table	
Temperature	Output
°C	V
-50	3.277
-40	3.160
-20	2.899
0	2.633
20	2.365
40	2.095
60	1.819
80	1.539
100	1.257
120	0.973
140	0.684
150	0.538

Texense sensors are designed for data logging. Should the users want to include this sensor in a closed loop system, they must undertake total responsibility from doing so.

Ordering information


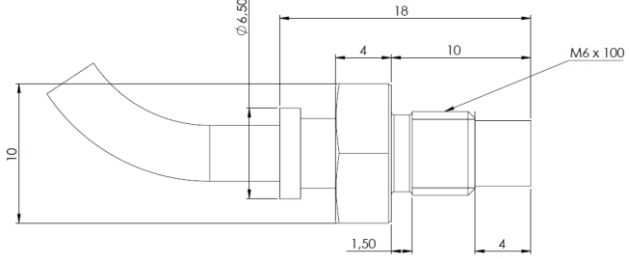
Ordering ref:

TS-150 – Housing version

M6-10 : M6 thread, 10mm probe

M6-14 : M6 thread, 14mm probe

ex: TS-150-M6-14

Housing ordering code	Weight	View	Drawing
M6-10	5g		
M6-14	5.5g	